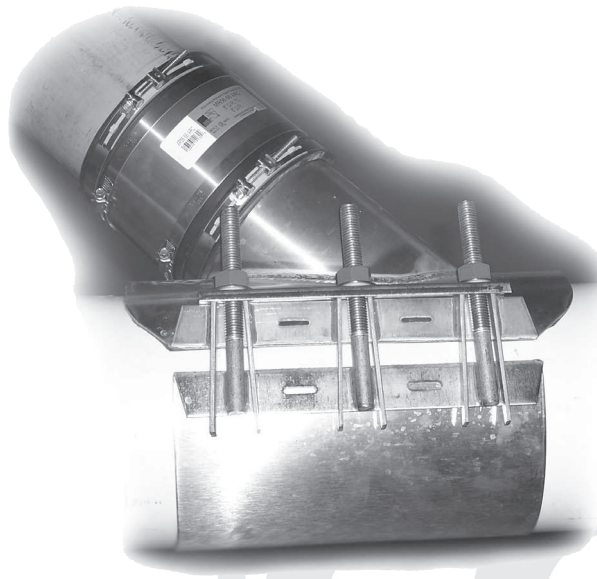




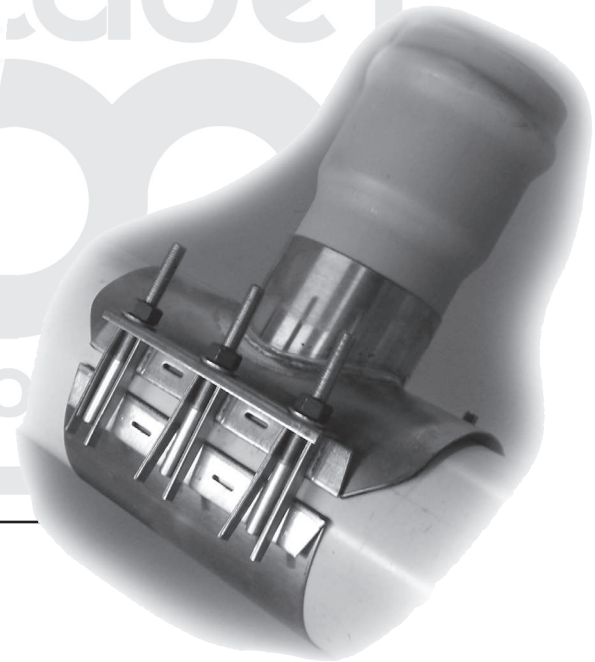
"The Standard
of Excellence in
the Industry"

CASCADE WATERWORKS SEWER SADDLE TEE & WYE

New Product



CSWRY-0863-06RC



CSWRT-0863-06IG

FEATURES

- All Stainless Steel design
- Large branch-side Mat Gasket provides strong seal as well as preventing saddle migration on main line.
- Long Saddle for Mainline support
- Inlet Branch sized for use with a non-shear flexible coupling (Also available with a PVC Stub)

PATENT PENDING

1213 BADGER STREET • YORKVILLE, ILLINOIS 60560
(630) 553-0840 • (800) 426-4301 • FAX (630) 553-0181
www.cascademfg.com